

- Security Kit 450, safety lock with device
- P.C.Board style assembly is easy to operate
- Required key to open the lock
- Required little space so that there is no problem with mechanical interference
- The head mechanism is accompanied with mechanical design

450 SERIES patented.



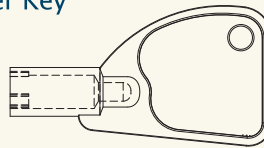
Material and Finish

- Screw:**
Hardened carbon steel, nickel finish.
- Spring:**
300 Series stainless steel.
- Ferrule:**
300 Series stainless steel.
- Key:**
Zinc Alloy(Die-Cast), zinc finish.

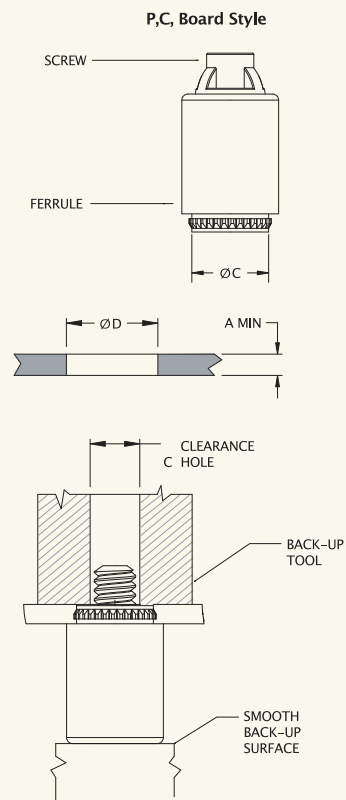
■ Recess Style



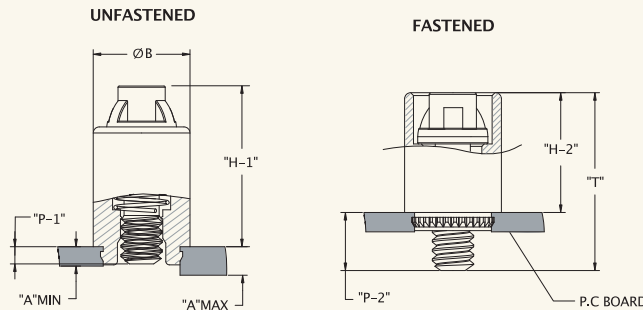
■ Driver Key



■ Installation Style



■ Knob Height and Screw Projection



■ Styled Knob Series Panel Preparation and Installation

For Thread Size	ØD	Clearance Hole
#6-32	6.4 ^{+0.08} / ₋₀ (.250 ^{+0.003} / _{-0.000})	3.7 (.146) ^{+0.2 (+.008)} / _{-0.1 (-.004)}

■ Dimensions

mm

THREAD	Ferrule Diameter		OUTER PANEL DIMENSIONS		SCREW PROJECTION			KNOB HEIGHT		TOTAL FLOAT	PART NUMBER
	B	C	A MIN	A MAX	T	P-1	P-2	H-1	H-2		
6-32	8	6.3	1.50	2.0	13.7	0.4	3.7	13.3	10.0	0.4	36-450-137k
					14.7	1.4	4.7	13.3	10.0	0.4	36-450-147k